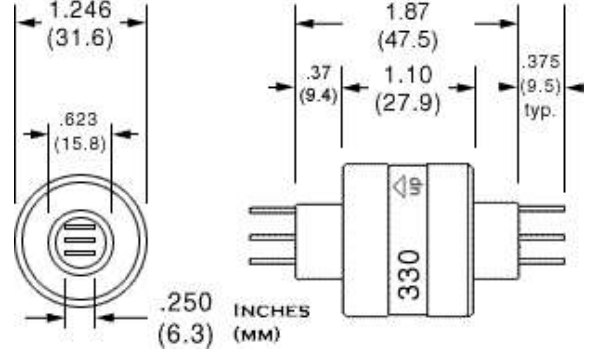


Model 330
Three Conductors,
30 amps



ONE CONDUCTOR

- [10 Amp \(Model 110\)](#)
- [10 Amp \(Model 110-T\)](#)
- [250 Amp \(Model 1250\)](#)
- [500 Amp \(Model 1500\)](#)

TWO CONDUCTOR

- [4 Amp \(Model 205\)](#)
- [30 Amp, 250V \(Model 230\)](#)
- [30 Amp, 500V \(Model 235\)](#)
- [15 Amp, 2,000V \(Model 215-2K\)](#)

THREE CONDUCTOR

- [4 Amp \(Model 305\)](#)
- [4 & 30 Amp \(Model 331\)](#)
- [30 Amp, 250V \(Model 330\)](#)
- [30 Amp, 500V \(Model 335\)](#)

FOUR CONDUCTOR

- [4 & 30 Amp \(Model 430\)](#)
- [30 Amp, 500V \(Model 435\)](#)
- [100 Amp, 500V \(Model 4100\)](#)

SIX CONDUCTOR

- [4 & 30 Amp \(Model 630\)](#)

EIGHT CONDUCTOR

- [4 & 30 Amp \(Model 830\)](#)

Disconnects included (6 lg.)
[Boot Kit](#) available
 Available with stainless steel ball bearing (330-SS)

| Model No. | Terminals | Voltage AC/DC | Amp Rating @240VAC | Max. Freq. MHz | Contact Resistance | Max. RPM | Temp Max. F (C) / Min. F (C) | Rotation Torque (gm-cm) | Circuit Separation |
|-----------|-----------|---------------|--------------------|----------------|--------------------|----------|------------------------------|-------------------------|--------------------|
| 330 | 3 | 0-250 | 30 | 100 | <1m Ω | 1200 | 140 (60) /-20(-29) | 300 | >25M Ω |
| 330-SS | 3 | 0-250 | 30 | 100 | <1m Ω | 1200 | 140 (60) /-20(-29) | 300 | >25M Ω |

"SS" designator indicates stainless steel ball bearing (recommended for wet or corrosive environments)

Model 330 Accessories



55251
Terminal 16 - 14 AWG
(qty. 3 included)



57430
[Boot Kit](#) for dust or splash protection
IP51



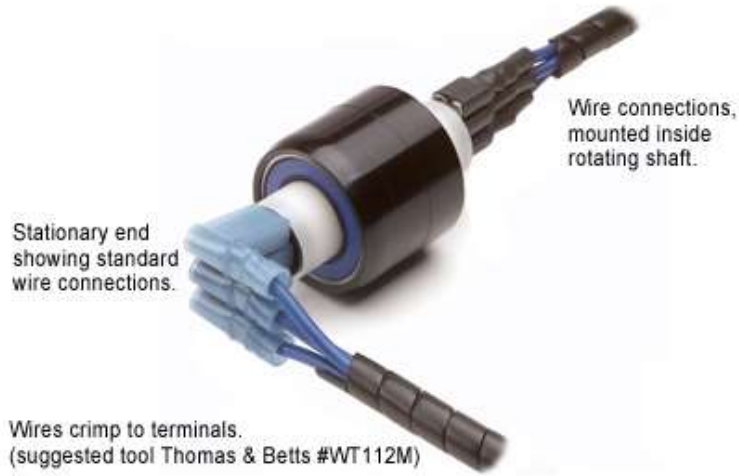
55253
Shrink Tube (qty. 3 included)



55252
Terminal 16 - 14 AWG (qty. 3 included)

Terminals for other wire gauges available.
 (22-18 AWG and 12-10 AWG)

Model 330 Standard Wire Connections



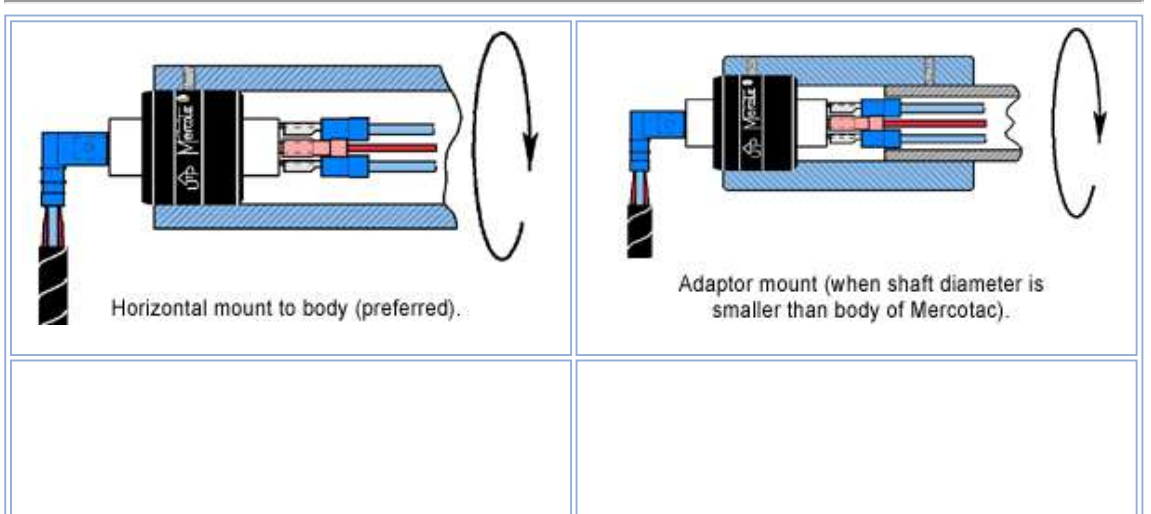
Model 330 Wire Connections With Optional Boot Kit

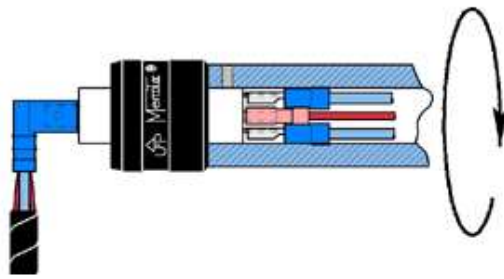


Model 330 Suggested Mounting Methods

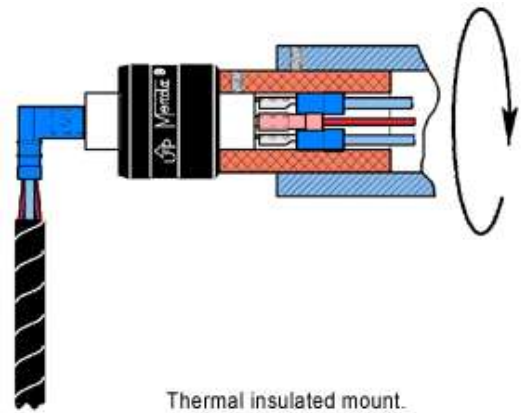
Model 330 is typically mounted by either the black body or the white plastic bushing on either end using a set screw. When mounting horizontally, mount the Mercotac so the body of the connector rotates.

| Typical Body Mount Hole Dimensions | | |
|---------------------------------------|---------------------|-----------|
| MODEL | HOLE DIAMETER (Ø) * | DEPTH |
| 330 et al | 1.248" (31.70) | .80" (20) |
| Typical Bushing Mount Hole Dimensions | | |
| 330 et al | .625" (15.88) | .40" (10) |
| *Inch (mm) Tolerance Ø | + .001" (+.025) | |
| | - .000" (-.000) | |

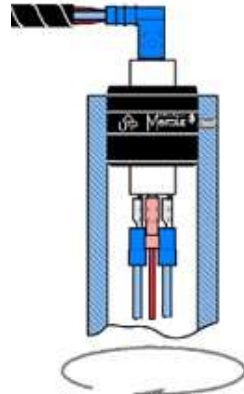




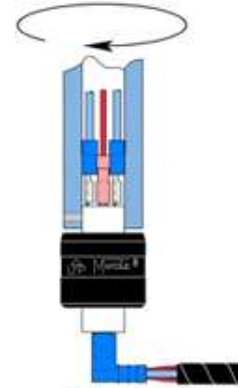
Horizontal mount to bushing (not preferred)
(May be used if shaft cannot be fitted to body diameter).



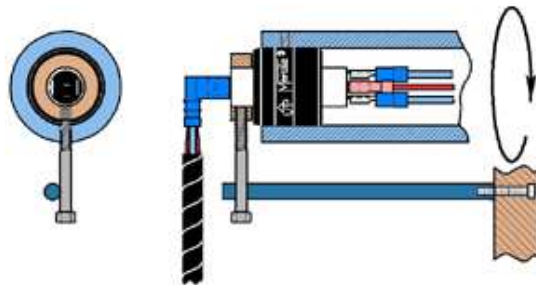
Thermal insulated mount.



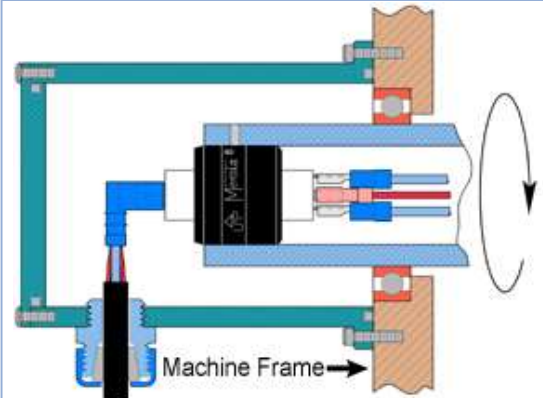
Top mount to body.



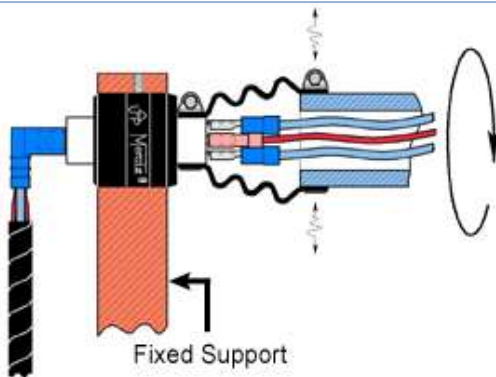
Bottom mount.



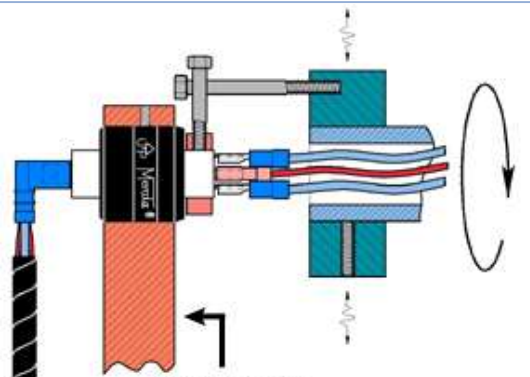
Floating torque arm mount.



Machine Frame →
Protective housing mount
(Recommended for wash-down or dirty environments.
Also recommended for food processing applications).



Fixed Support
Vibration isolating mount with flexible bellows.



Fixed Support
Vibration isolating mount with floating drive coupling.

- the up arrow should not point below horizontal
- do not solder to or bend connector tabs
- avoid lateral forces and mechanical loads (overly stiff or tight wires)
- do not rigid mount both ends of connector
- limit mounting eccentricity (runout / wobble) to .005" (.13mm)
- provide overload protection within the circuit
- avoid vibration and bumping motions

[Back Top Top](#)

[Home](#) | [Company](#) | [FAQ](#) | [Products](#) | [Purchasing](#) | [Literature](#) | [Technical](#) | [Contact](#)

Mercotac, Inc.

6195 Corte del Cedro #100 Carlsbad, CA 92011 USA

Telephone: (760) 431-7723 Fax: (760) 431-0905

Email: sales@mercotac.com Support: techsupport@mercotac.com