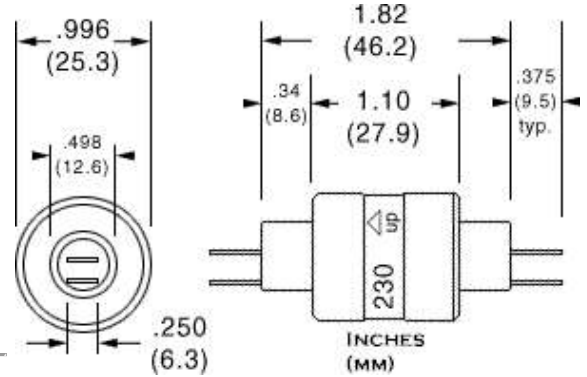


Model 230
Two Conductors,
30 Amps



ONE CONDUCTOR

- [10 Amp \(Model 110\)](#)
- [10 Amp \(Model 110-T\)](#)
- [250 Amp \(Model 1250\)](#)
- [500 Amp \(Model 1500\)](#)

TWO CONDUCTOR

- [4 Amp \(Model 205\)](#)

- [30 Amp, 250V \(Model 230\)](#)
- [30 Amp, 500V \(Model 235\)](#)
- [15 Amp, 2,000V \(Model 215-2K\)](#)

Disconnects included (4 lg.)
[Boot Kit](#) available
 Available with stainless steel ball bearing (230-SS)

THREE CONDUCTOR

- [4 Amp \(Model 305\)](#)
- [4 & 30 Amp \(Model 331\)](#)
- [30 Amp, 250V \(Model 330\)](#)
- [30 Amp, 500V \(Model 335\)](#)

Model No.	Terminals	Voltage AC/DC	Amp Rating @240VAC	Max. Freq. MHz	Contact Resistance	Max. RPM	Temp Max. F (C) / Min. F (C)	Rotation Torque (gm-cm)	Circuit Separation
230	2	0-250	30	200	<1mΩ	1800	140 (60) /-20(-29)	200	>25MΩ
230-SS	2	0-250	30	200	<1mΩ	1800	140 (60) /-20(-29)	200	>25MΩ

"SS" designator indicates stainless steel ball bearing (recommended for wet or corrosive environments)

▼ **Model 230 Accessories**



55251
Terminal 16 - 14 AWG
(qty. 2 included)



57230
[Boot Kit](#) for dust / splash protection
IP51



55250
16 - 14 AWG (qty. 2 included)

Terminals for other wire gauges available.
(22-18 AWG and 12-10 AWG)

FOUR CONDUCTOR

- [4 & 30 Amp \(Model 430\)](#)
- [30 Amp, 500V \(Model 435\)](#)
- [100 Amp, 500V \(Model 4100\)](#)

SIX CONDUCTOR

- [4 & 30 Amp \(Model 630\)](#)

EIGHT CONDUCTOR

- [4 & 30 Amp \(Model 830\)](#)

▼ **Model 230 Standard Wire Connections**

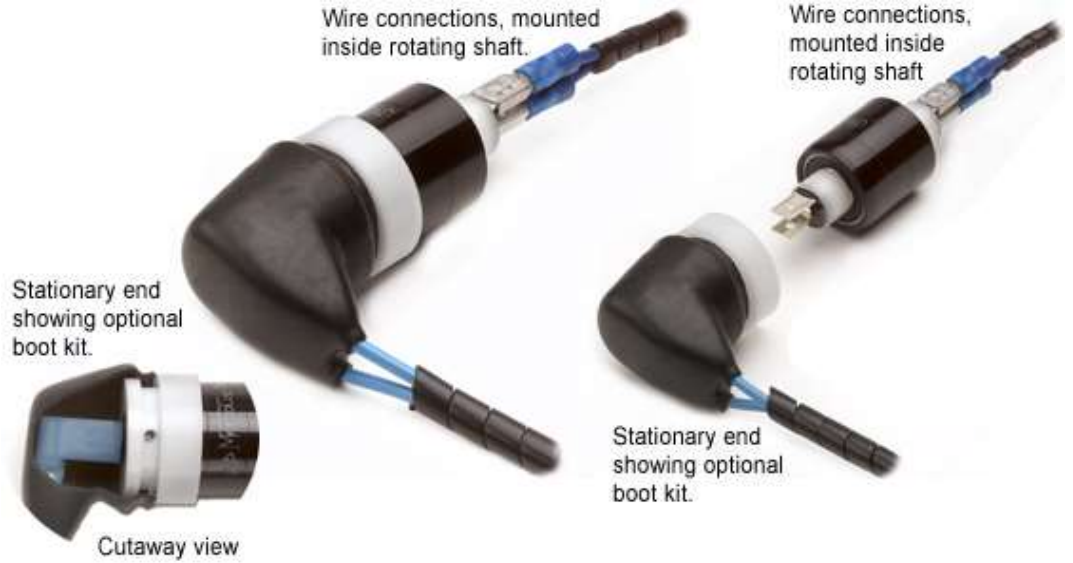
Stationary end showing standard wire connections.



Wire connections, mounted inside rotating shaft.

Wires crimp to terminals.
(suggested tool Thomas & Betts #WT112M)

▼ Model 230 Wire Connections With Optional Boot Kit



▼ Model 230 Suggested Mounting Methods

Model 230 is typically mounted by the black body or the white plastic bushing on either end using a set screw. When mounting horizontally, mount the Mercotac so the body of the connector rotates.

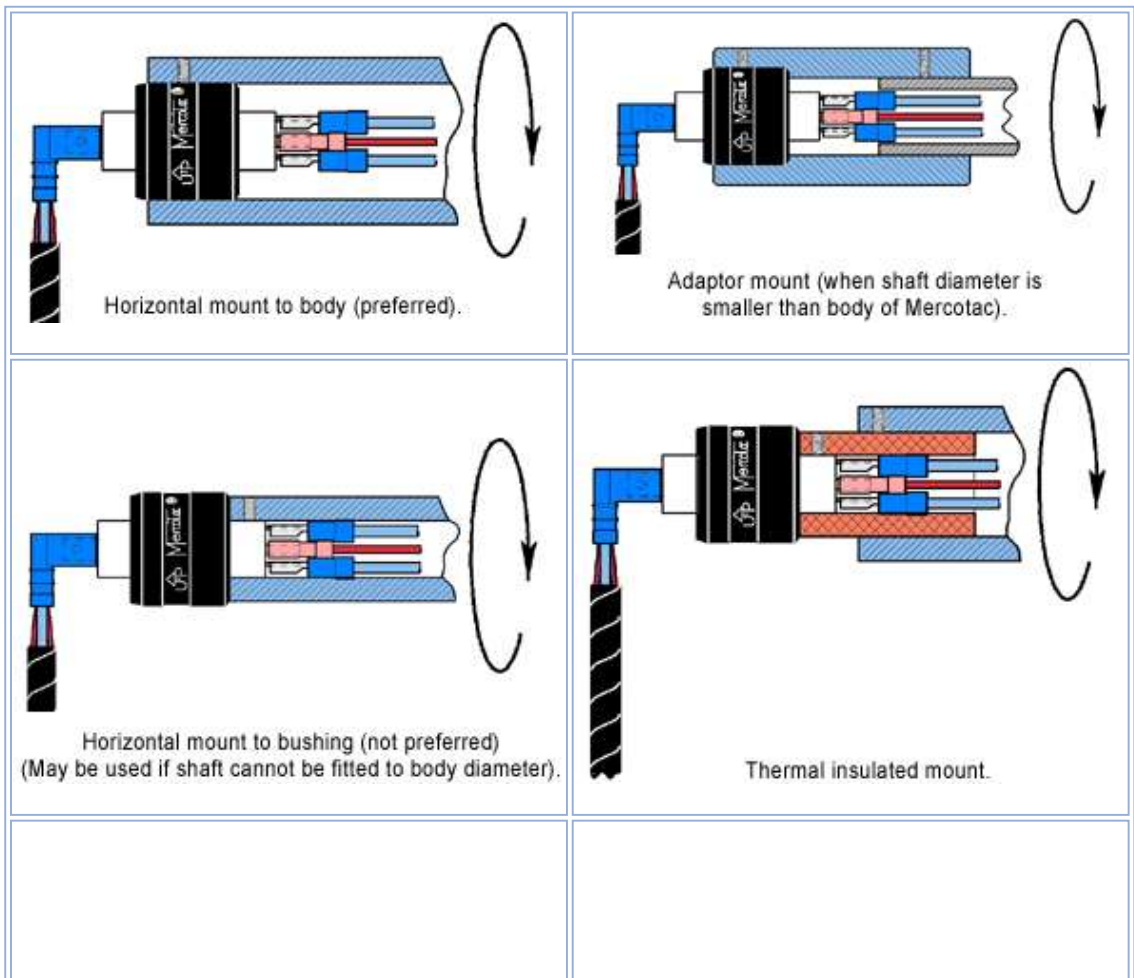
Typical Body Mount Hole Dimensions

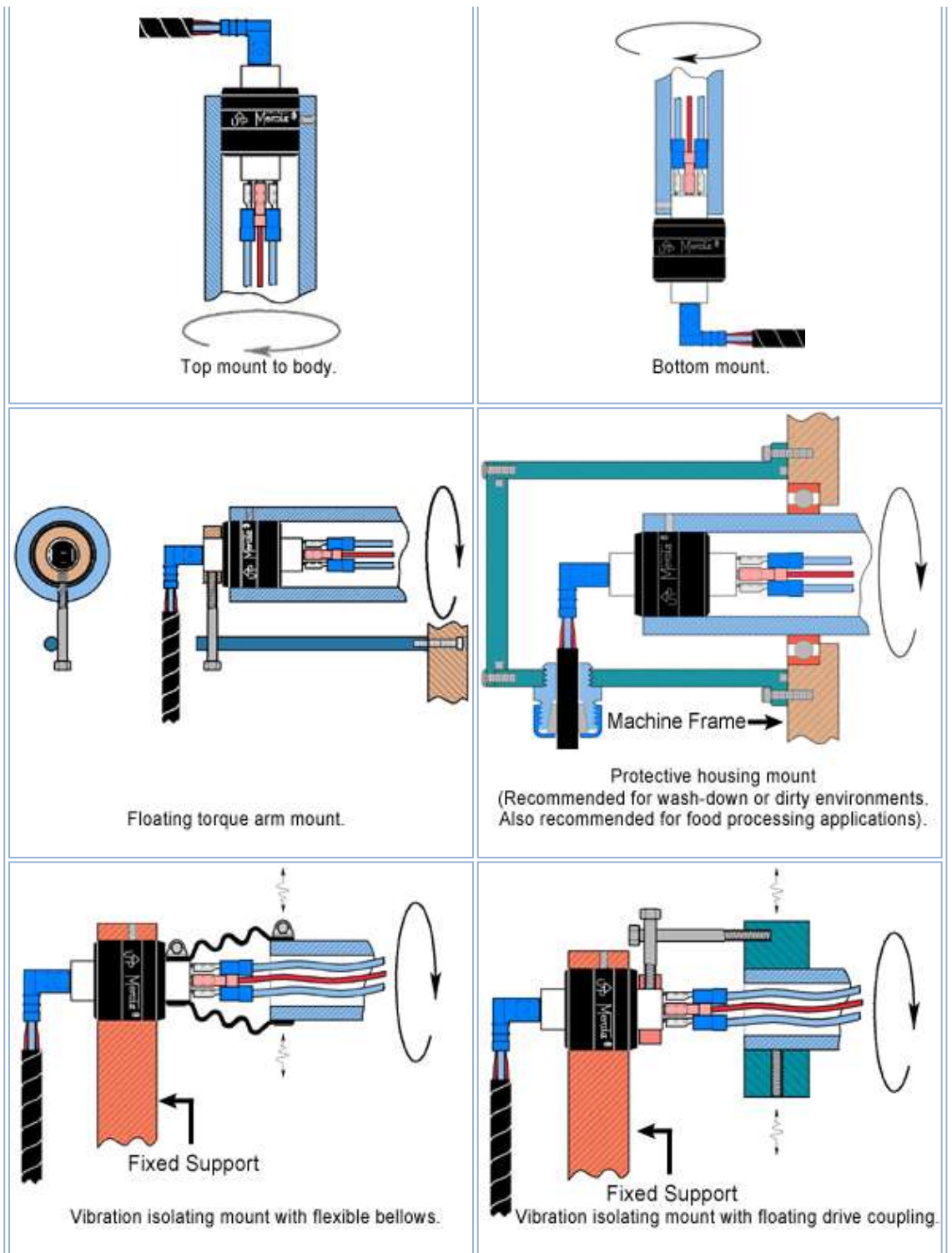
MODEL	HOLE DIAMETER (Ø) *	DEPTH
230 et al	.998" (25.35)	.80" (20)

Typical Bushing Mount Hole Dimensions

230 et al	.500" (12.70)	.40" (10)
-----------	---------------	-----------

*Inch (mm) Tolerance Ø
 +.001" (+.025)
 -.000" (-.000)





Installation Notes:

- the up arrow should not point below horizontal
- do not solder to or bend connector tabs
- avoid lateral forces and mechanical loads (overly stiff or tight wires)
- do not rigid mount both ends of connector
- limit mounting eccentricity (runout / wobble) to .005" (.13mm)
- provide overload protection within the circuit
- avoid vibration and bumping motions

[Back Top Top](#)

Mercotac, Inc.

6195 Corte del Cedro #100 Carlsbad, CA 92011 USA

Telephone: (760) 431-7723 Fax: (760) 431-0905

Email: sales@mercotac.com Support: techsupport@mercotac.com